

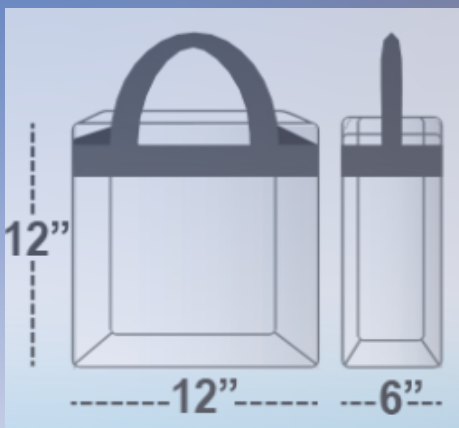
# CLEAR BAG POLICY

NOW IN EFFECT

## APPROVED ITEMS

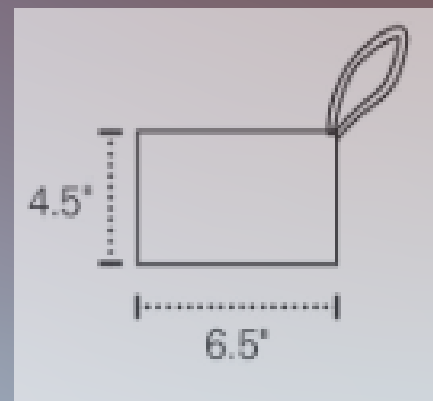
### Clear Bags

Maximum Size  
12" x 12" x 6"



### Small Clutch & Wallets

Maximum Size  
4.5" x 6.5"



FOR MORE INFORMATION, VISIT [RALSTONARENA.COM](http://RALSTONARENA.COM)

Ralston Arena allows the following:

- \* Clear bags within approved measurements
- \* Small clutch purse or wallet within approved measurements
  - \* Only One Bag permitted per person
- \* One-gallon, clear plastic freezer bags are permitted

Exceptions will be made for Medically Necessary items after proper inspection

### ALL ITEMS SUBJECT TO SEARCH

Please travel light as you will also be wanded by a metal detector prior to entering arena

### PROHIBITED ITEMS

- \*Purse or Backback \* Oversized Clear Bags
- \* Professional Cameras \* Diaper Bags
- \* Fanny Pack \* Umbrellas
- \* Weapons of any kind, including pocket Knives
- \* Leaser Pointers \* Signs
- \* Any Food or Drink (with the exception of infant bottle)